

CURRENT 1.0 Ampere
 VOLTAGE RANG 50 to 1000 Volts

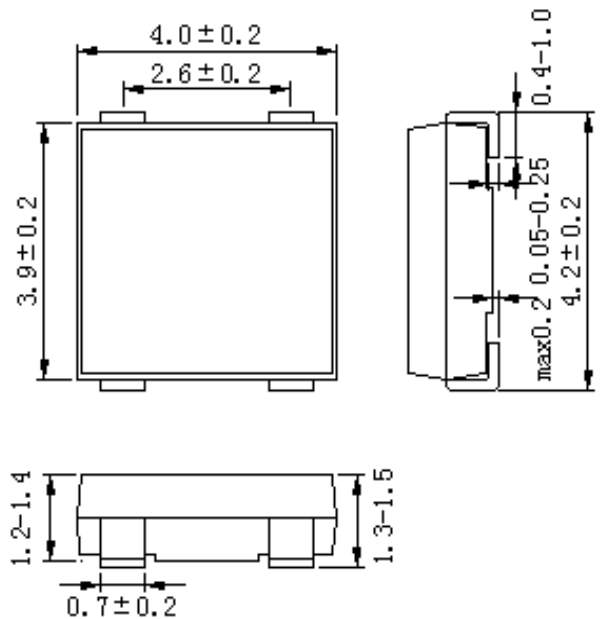
LX005M THRU LX10M

Features

- This series is SGS listed under the Recognized Component Index, file number SZXEC 2202221803
- Glass Passivated Die Construction
- Low Forward Voltage Drop
- Low Leakage Current
- High Forward Surge Capability
- Designed for Surface Mount Application

Mechanical Date

- **Case:** TLM-J Molded Plastic
- **Terminals:** Solder plated, Solderable per J-STD-002B and JESD22-B102D
- **Polarity:** As Marked on body
- **Marking:** Type Number
- **Lead Free:** For ROHS/Leadfree Version



Maximum Ratings & Thermal Characteristics (T_A = 25 °C unless otherwise noted)

Single Phase, half wave, 60Hz, resistive or inductive load.

For capacitive load, derate current by 20%.

Items	Symbol	LX005M	LX01M	LX02M	LX04M	LX06M	LX08M	LX10M	UNIT
Maximum repetitive peak reverse voltage	V _{RRM}	50	100	200	400	600	800	1000	V
Maximum RMS voltage	V _{RMS}	35	70	140	280	420	560	700	V
Maximum DC blocking voltage	V _{DC}	50	100	200	400	600	800	1000	V
Maximum average forward rectified current	I _{F(AV)}	1.0 ¹⁾							A
		0.8 ²⁾							
Peak forward surge current 8.3 ms single half sine-wave superimposed on rated load	I _{FSM}	30							A
Operating junction and storage temperature range	T _J , T _{STG}	-55 to +150							°C

1): Mounted on glass epoxy P.C.B with 1.2×1.5mm² pads.

2): Mounted on aluminum substrate P.C.B with 1.2×1.5mm² pads.

Electrical Characteristics (T_A = 25 °C unless otherwise noted)

Items	Test conditions	Symbol	Min	Type	Max	
Instantaneous forward voltage	I _F =1.0A ³⁾	V _F	-	0.95	1.1	V
Reverse current	T _A = 25 °C	I _R	-	-	5	μA
	T _A = 125 °C		-	-	100	

3): Pulse test: 300μS pulse width, 1% duty cycle.

CURRENT 1.0 Ampere
 VOLTAGE RANG 50 to 1000 Volts

LX005M THRU LX10M

Rating and Characteristic Curves (TA=25°C Unless otherwise noted)

FIG.1 - FORWARD CURRENT DERATING CURVE

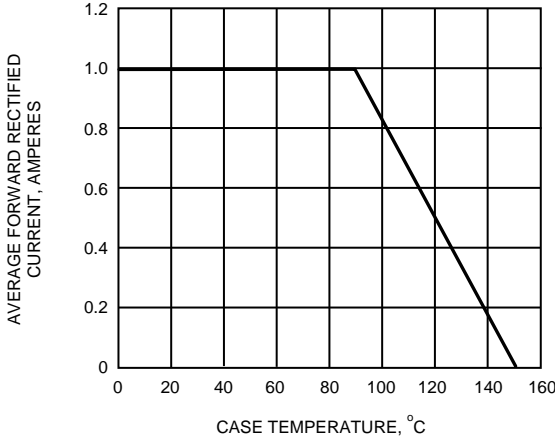


FIG.2 - MAXIMUM NON-REPETITIVE PEAK FORWARD SURGE CURRENT

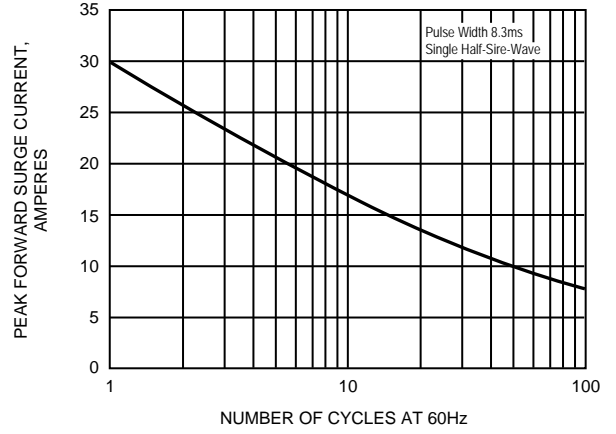


FIG.3 - TYPICAL INSTANTANEOUS FORWARD CHARACTERISTICS

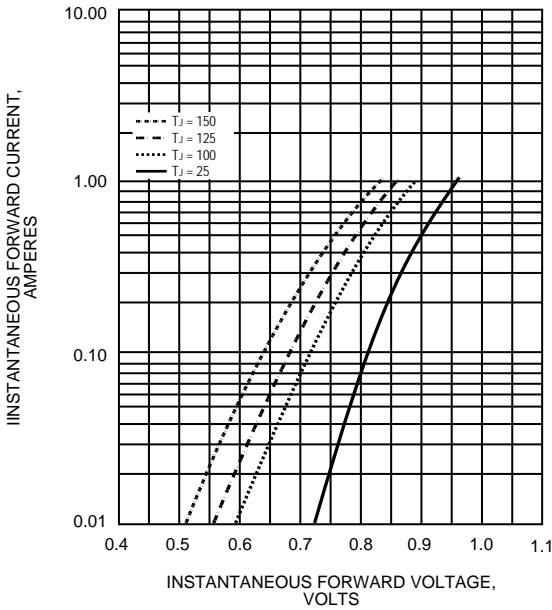


FIG.4 - TYPICAL REVERSE CHARACTERISTICS

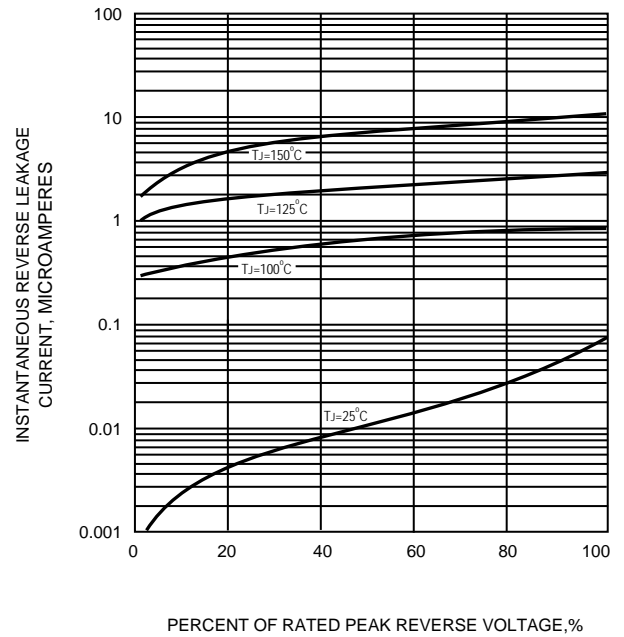
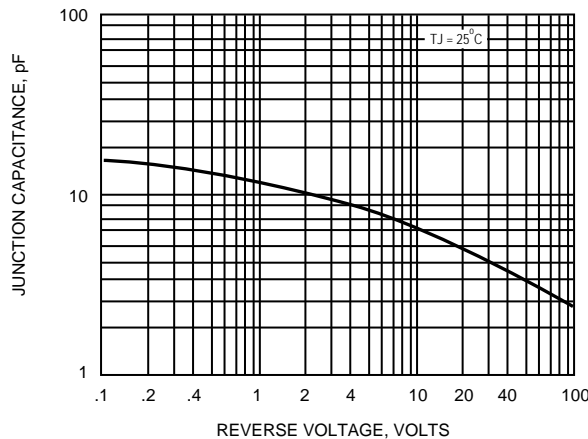


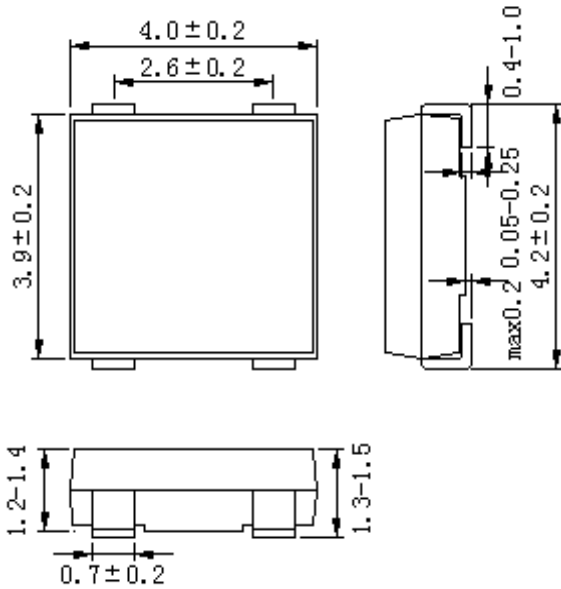
FIG.5 - TYPICAL JUNCTION CAPACITANCE



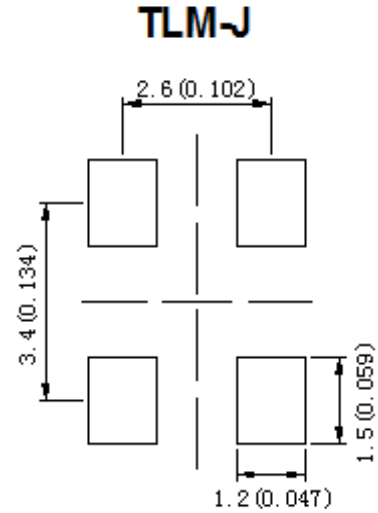
CURRENT 1.0 Ampere
 VOLTAGE RANG 50 to 1000 Volts

LX005M THRU LX10M

Package Outline



Soldering Pad



● **OUTLINE DIMENSIONS**

Case : **MBCN**

Unit : mm

